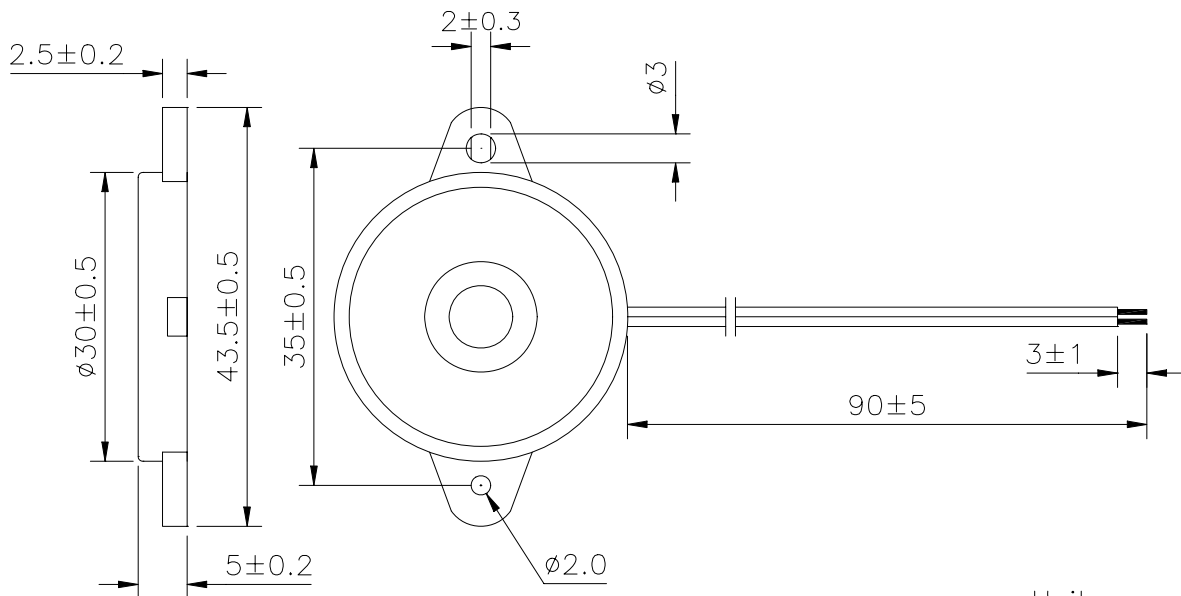


**Sales Outline Drawing**Revision **A****Specifications:**

|                                  |   |
|----------------------------------|---|
| Resonant Frequency (Hz)          | 4500 ± 500                                      |
| Operating Voltage (Vp-p/max)     | 30  |
| Rated Voltage (Vp-p)             | 5.0   |
| Current Consumption (mA/max)     | 1.5 at Rated Voltage                            |
| Sound Pressure Level (dB/min)    | 90 at 10cm at Rated voltage                     |
| Capacitance (pF)                 | 20,000 ± 30% at 120 Hz                          |
| Operating Temperature (°C)       | -20 ~ +90                                       |
| Storage Temperature (°C)         | -30 ~ +100                                      |
| Housing                          | ABS 777D UL94HB plastic resin<br>(Color: Black) |
| Lead Wires                       | 28 AWG Red + Black                              |
| Weight (Grams)                   | 4.6   |
| Condition by wave soldering (°C) | 245 ± 5 / 3 ± 0.5 sec                           |
| Condition by hand soldering (°C) | 350 ± 20 / within 5 sec                         |
| Options                          | For other options contact factory               |

PS: Vp-p = 1/2duty, square wave

**RoHS Compliant****Dimensions:** (units: mm)

Unit:mm